

KIBABII UNIVERSITY

2021/2022 ACADEMIC YEAR

FIRST YEAR FIRST SEMESTER

SUPPLEMENTARY EXAMINATIONS

FOR THE DEGREE OF BACHELOR OF SCIENCE IN RENEWABLE ENERGY AND
BIOFUELS TECHNOLOGY

COURSE CODE: REN 112

COURSE TITLE: ENGINEERING DRAWING 1

DATE: **21/7/2022** TIME: **8:00AM-10:00AM**

INSTRUCTIONS TO CANDIDATES

This paper consists of TWO sections: A and B

Section A is Compulsory. Attempt any TWO questions from section B

This paper consists of 4 printed pages. Please Turn over

SECTION A: COMPULSORY

QUESTON ONE (30 MARKS)

NOTE:INDICATE THE CONSTRUCTION LINES

(a) Sketch and state the APPLICATION of the following types of lines applied in Engineering drawing based on BS 308:

(i) continous thick

(ii)short dashes

(iii) Chain thin

(6 marks)

(b) Draw a VERTICAL ellipse given the following:

Major Axis = 130mm; Minor Axis =80mm

(6 marks)

(c) Draw an internal tangent to TWO circles of 50mm equal diameter with center distance of 100mm

(6 marks)

(d) Construct a regular hexagon using a T-square and a 60 degree set square, given the distance across the corners as 100mm

(6 marks)

(e) Write the full name of the following abbreviations:

(i) A/F ; CSK; SCR;

(ii) State THREE types of information contained in a standard Title block

(6 marks)

SECTION B: ATTEMP ANY ONE QUESTION FROM THIS SECTION (40 MARKS)

QUESTION TWO (40 MARKS)

Draw the following views of Figure 1 in first Angle projection

- (i) Front view in the direction of Arrow A
- (ii) Side view in the direction of Arrow B
- (iii) Plan in the direction of arrow C

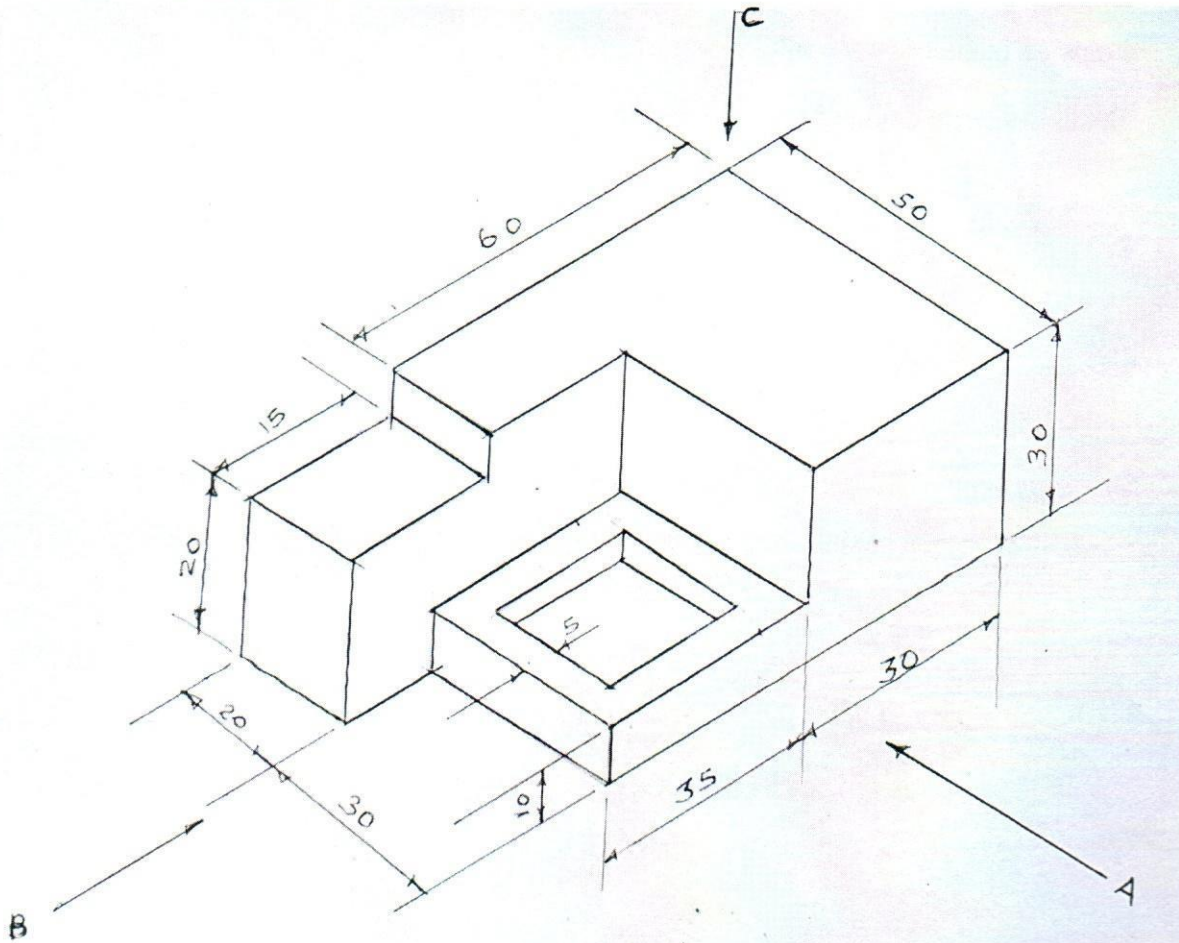


FIG. 1

Scanned with CamScanner

03

QUESTION THREE (40 MARKS)

- (i) Define a parabola
- (ii) Plot a parabola given that the focus and Directrix are 20mm apart

QUESTION FOUR (40 MARKS)

- (i) Draw an Isometric cube of 60mm
- (ii) Draw isometric circles on the three visible faces of the cube in Q.4 (i)

(40 marks)