



KIBABII UNIVERSITY

UNIVERSITY EXAMINATIONS
2017/2018 ACADEMIC YEAR

FOURTH YEAR FIRST SEMESTER
MAIN EXAMINATIONS

FOR THE DEGREE OF BSC (PHYSICS)

COURSE CODE: SPH 412

COURSE TITLE: TECHNICAL DRAWING

DURATION: 2 HOURS

DATE: WEDNESDAY 20TH DECEMBER 2017 **TIME:** 11.30 AM – 1.30 PM

INSTRUCTIONS TO CANDIDATES

- Answer **QUESTION ONE** (Compulsory) and any other two (2) Questions.
- Indicate **answered questions** on the front cover.
- Start every question on a new page and make sure question's number is written on each page.

This paper consists of 3 printed pages. Please Turn Over



KIBU observes ZERO tolerance to examination cheating

QUESTION 1 (30 marks)

- a. Using A2 drawing paper, draw the border lines and title block indicating the title as EXAMINATION, SCALE, DATE, your REGISTRATION NUMBER, DRWG NO. and Your NAME.
- b. Draw the three orthographic views of Fig. 1 in First Angle projection and include at least six (6) dimensions.

QUESTION 2 (20 marks)

Using rectangular method, construct an ellipse whose major axis is 60 mm and minor axis is 40 mm.

QUESTION 3 (20 marks)

Produce an isometric projection from Fig. 2 drawn in First Angle Projection. Include all dimensions.

QUESTION 4 (20 marks)

Draw the three orthographic views of Fig. 3 in Third Angle projection and include at least six (6) dimensions.

QUESTION 5 (20 marks)

Copy the given sectional views of a pillow block as shown in Fig. 4. Draw the given views and insert all dimensions.

SPH 412 EXAM

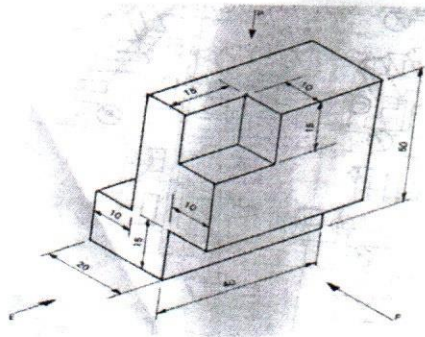


Fig. 1

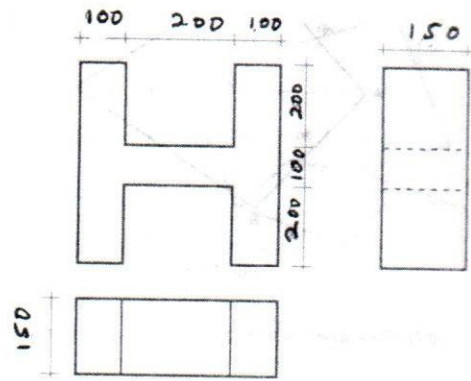


Fig. 2

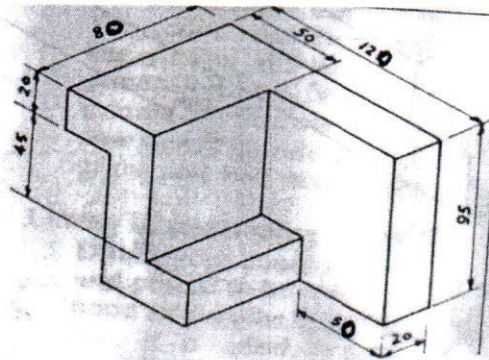


Fig. 3

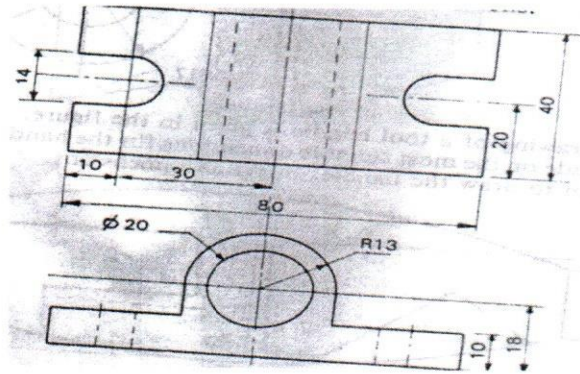


Fig. 4