



KIBABII UNIVERSITY

2017/2018 ACADEMIC YEAR

FIRST YEAR FIRST SEMESTER

SPECIAL/SUPPLEMENTARY EXAMINATIONS

FOR THE DEGREE OF BACHELOR OF SCIENCE IN RENEWABLE ENERGY AND
BIOFUELS TECHNOLOGY

COURSE CODE: PRD 161

COURSE TITLE: ENGINEERING DRAWING 1

DATE: **05/10/2018**

TIME: **11:30-1:30PM**

INSTRUCTIONS TO CANDIDATES

Answer question ONE and any other two questions

This paper consists of 3 printed pages. Please Turn over

QUESTION 1 (30 marks)

- a. Using A2 drawing paper, draw the border lines and title block indicating the title as EXAMINATION, SCALE, DATE, your REGISTRATION NUMBER, DRWG NO. and Your NAME.
- b. Draw the three orthographic views of Fig. 1 in Third Angle projection and include at least six (6) dimensions.

QUESTION 2 (20 marks)

Without using a protractor, draw triangle ABC with $AB = 100$ mm, angle $ABC = 45^\circ$ and angle $BAC = 30^\circ$. Extend lines AB and AC then construct an escribed circle.

QUESTION 3 (20 marks)

Draw a regular pentagon of side 60 mm to scale 1:1.

QUESTION 4 (20 marks)

Draw the three orthographic views of Fig. 2 in First Angle projection and include at least six (6) dimensions.

QUESTION 5 (20 marks)

Copy the given sectional views of a machine part as shown in Fig. 3. Draw the given views and insert all dimensions.

PRD 161 EXAM

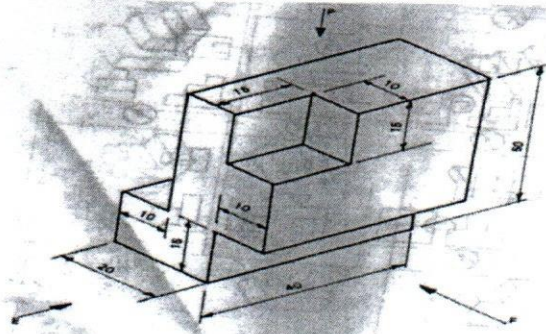


Fig. 1

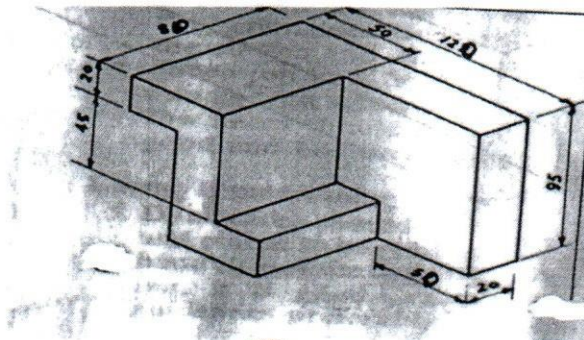


Fig. 2

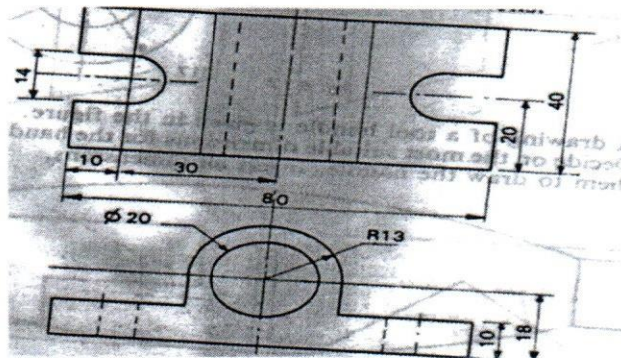


Fig 3